

	5	9	0	2
+	7	3	7	8

	7	4	3	2
-	4	3	8	1

	6	7	0	2
+	2	4	3	3

	8	5	0	0	7
-	1	4	7	3	8

	7	6	5	2
+	2	3	4	8

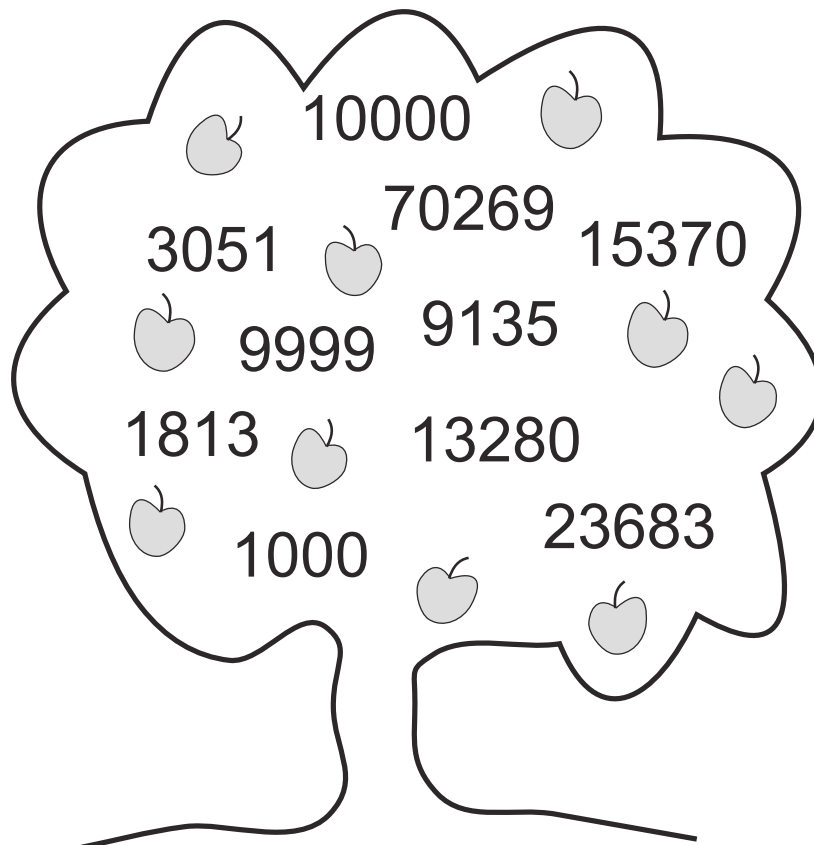
	3	0	4	5	6
-		6	7	7	3

	6	7	0	9
-	5	7	0	9

	7	8	0	2	2
-	6	8	0	2	3

	2	3	1
	4	1	2
	3	2	7
+	8	4	3

	4	3	7	8
	6	7	3	4
		4	5	6
+	3	8	0	2



	68
-	23

	354
-	122

	72
-	68

	72
-	18

	557
-	382

	5577
-	4567

	6284
-	4536

	4047
-	3638

	7003
-	3997

	9062
-	3507

	13248
-	8927

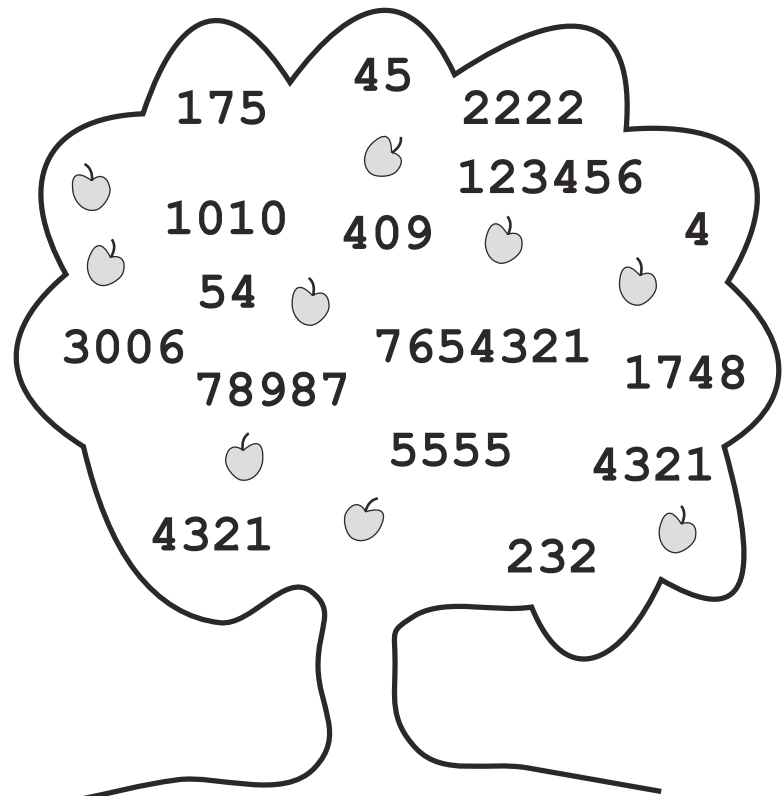
	8113
-	3792

	13015
-	10793

	135221
-	56234

	918083
-	794627

	11253075
-	3598754

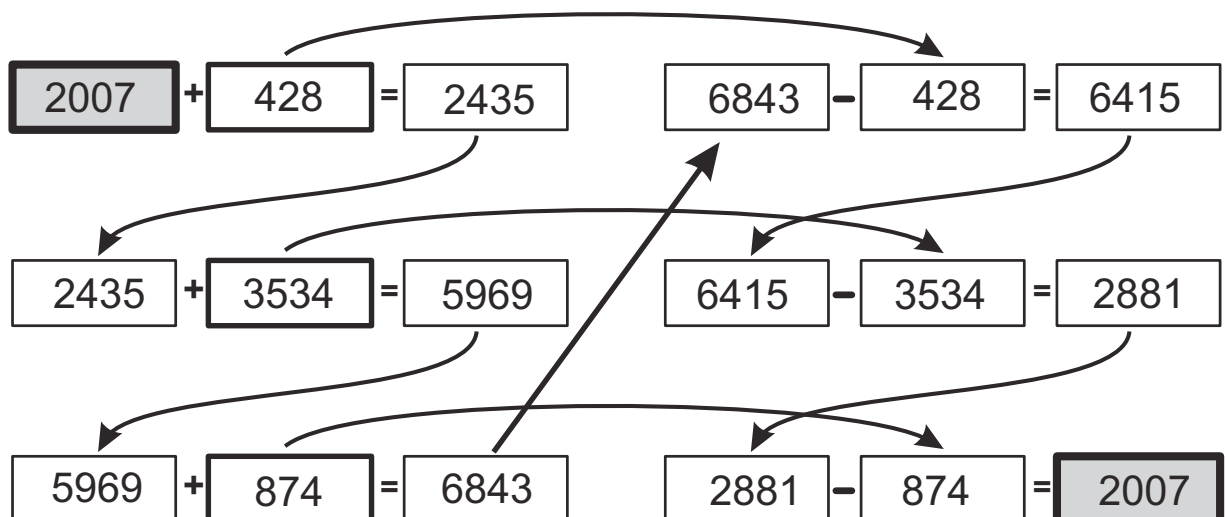
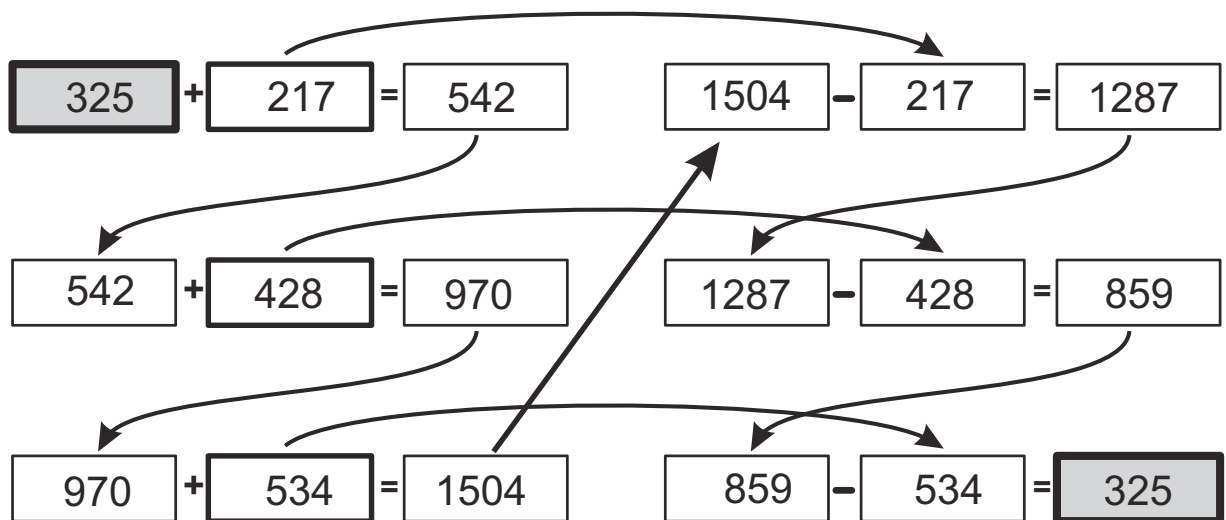
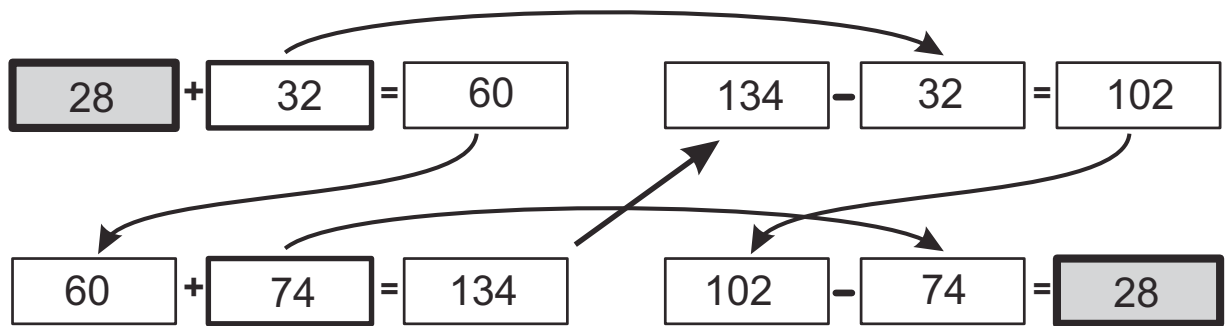


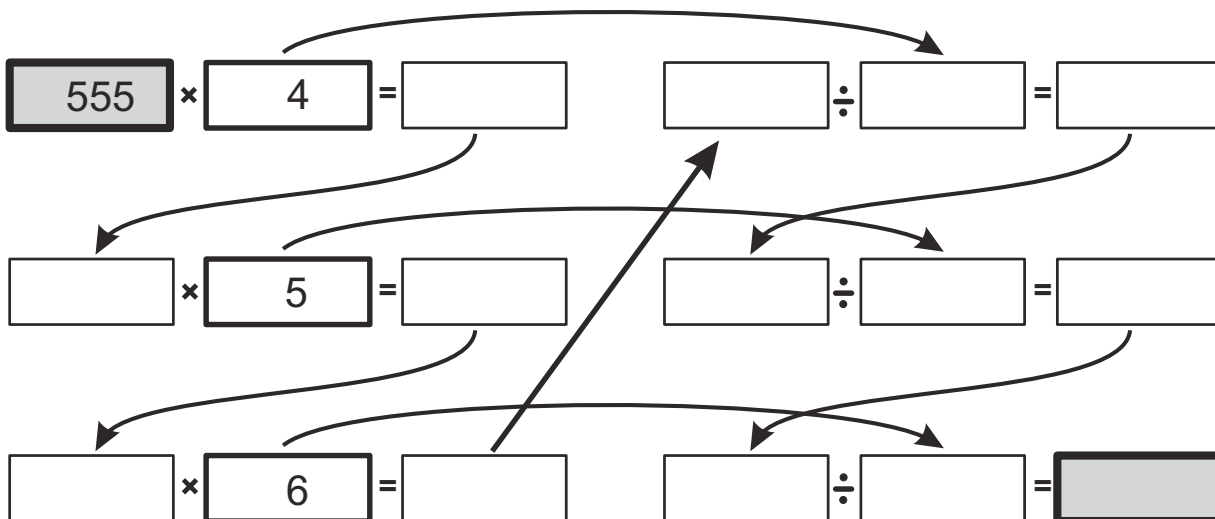
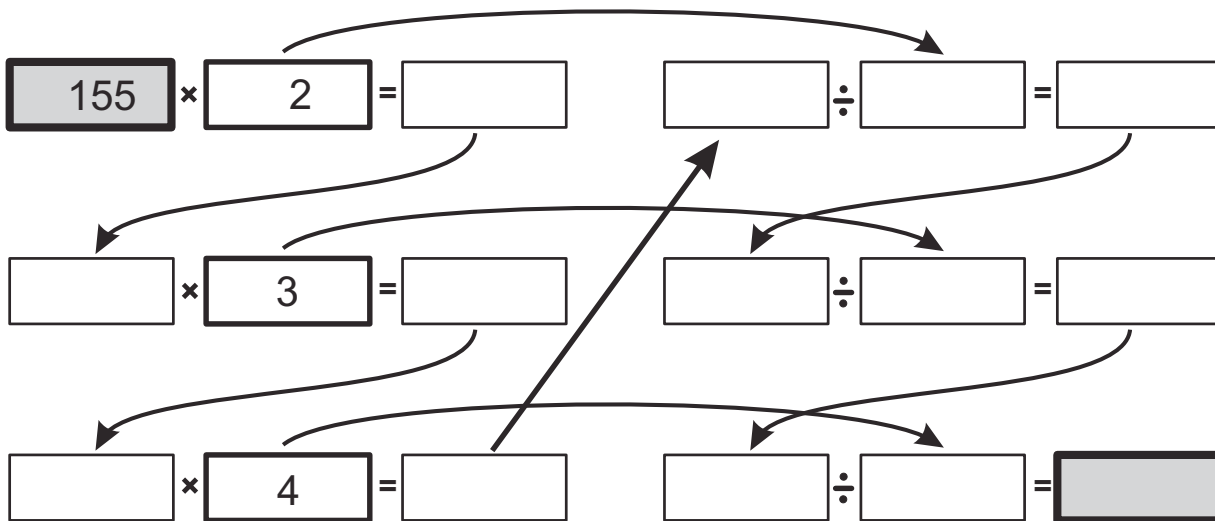
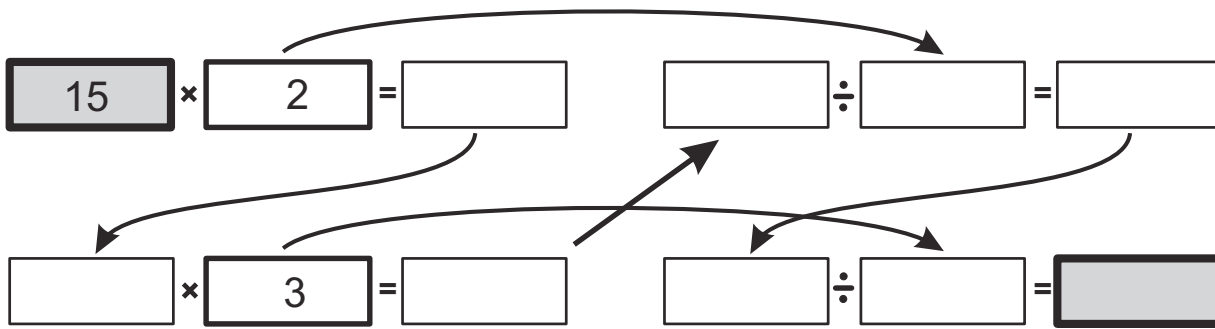
$$\begin{array}{cc}
 \boxed{28} + \boxed{32} = \boxed{\phantom{000}} & \boxed{\phantom{000}} - \boxed{\phantom{000}} = \boxed{\phantom{000}} \\
 \downarrow & \uparrow \\
 \boxed{\phantom{000}} + \boxed{74} = \boxed{\phantom{000}} & \boxed{\phantom{000}} - \boxed{\phantom{000}} = \boxed{\phantom{000}}
 \end{array}$$

$$\begin{array}{cc}
 \boxed{325} + \boxed{217} = \boxed{\phantom{000}} & \boxed{\phantom{000}} - \boxed{\phantom{000}} = \boxed{\phantom{000}} \\
 \downarrow & \uparrow \\
 \boxed{\phantom{000}} + \boxed{428} = \boxed{\phantom{000}} & \boxed{\phantom{000}} - \boxed{\phantom{000}} = \boxed{\phantom{000}} \\
 \downarrow & \uparrow \\
 \boxed{\phantom{000}} + \boxed{534} = \boxed{\phantom{000}} & \boxed{\phantom{000}} - \boxed{\phantom{000}} = \boxed{\phantom{000}}
 \end{array}$$

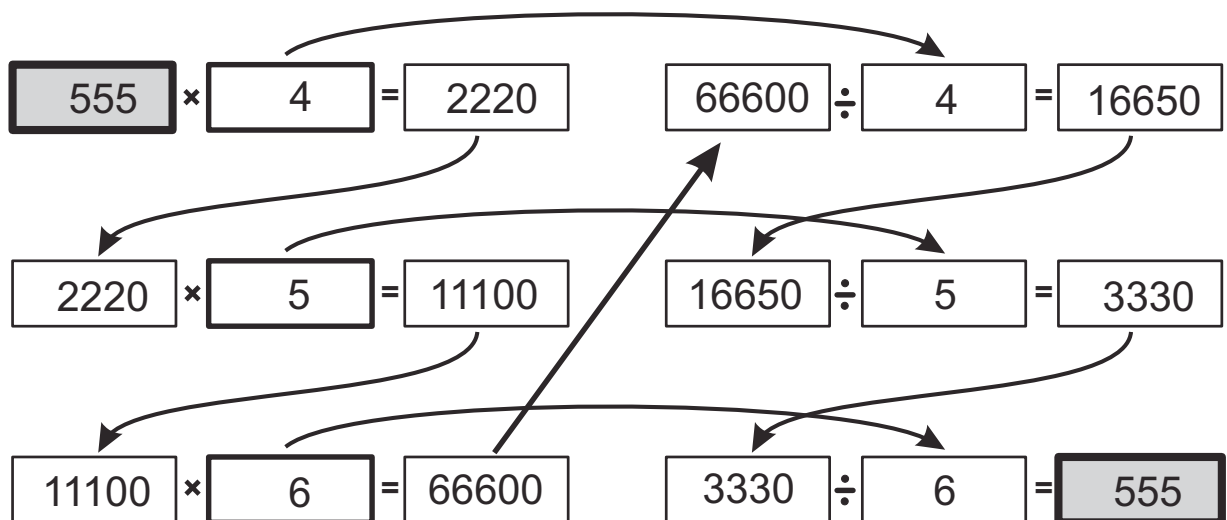
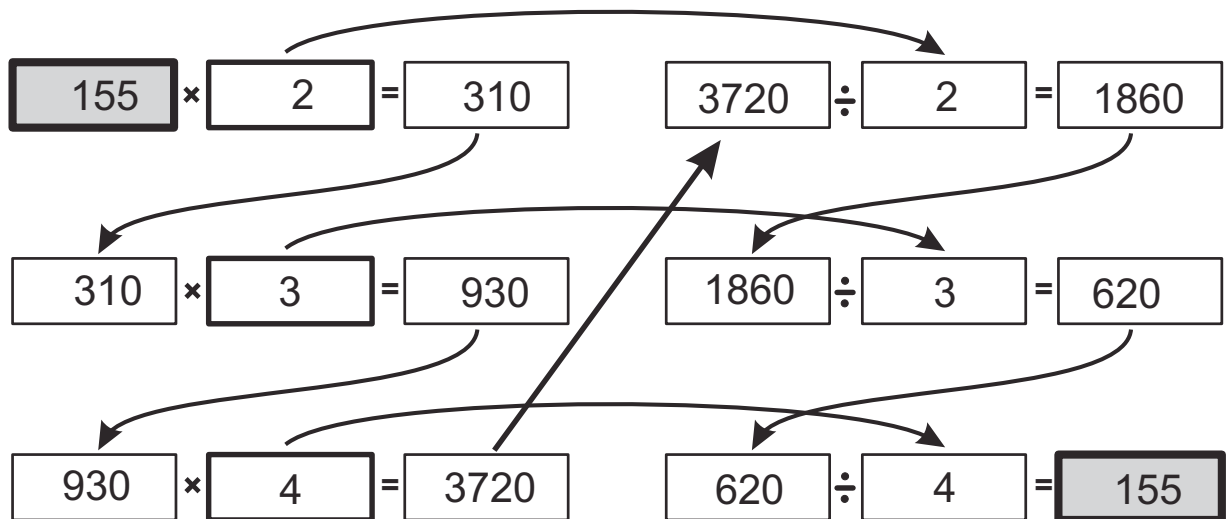
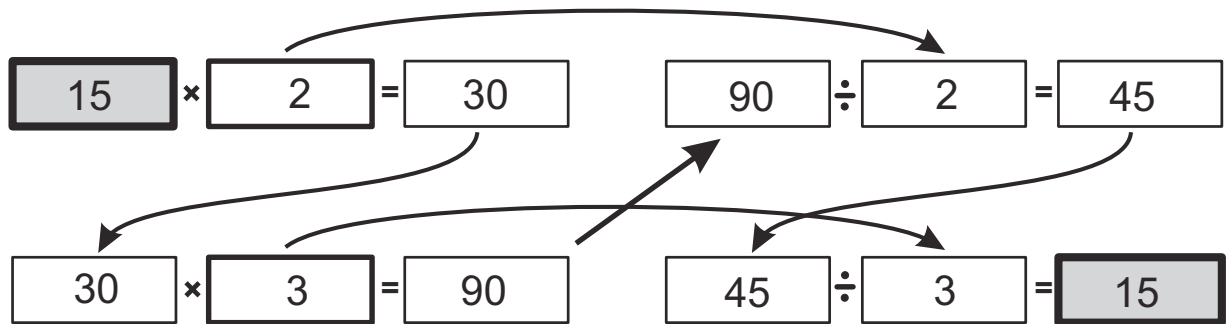
$$\begin{array}{cc}
 \boxed{2007} + \boxed{428} = \boxed{\phantom{000}} & \boxed{\phantom{000}} - \boxed{\phantom{000}} = \boxed{\phantom{000}} \\
 \downarrow & \uparrow \\
 \boxed{\phantom{000}} + \boxed{3534} = \boxed{\phantom{000}} & \boxed{\phantom{000}} - \boxed{\phantom{000}} = \boxed{\phantom{000}} \\
 \downarrow & \uparrow \\
 \boxed{\phantom{000}} + \boxed{874} = \boxed{\phantom{000}} & \boxed{\phantom{000}} - \boxed{\phantom{000}} = \boxed{\phantom{000}}
 \end{array}$$

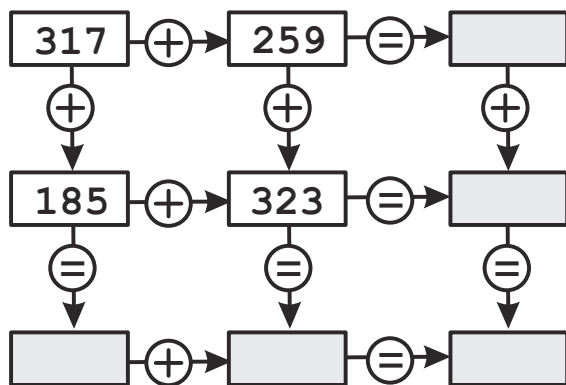
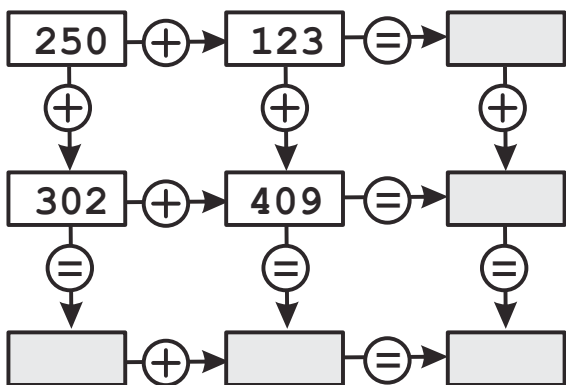
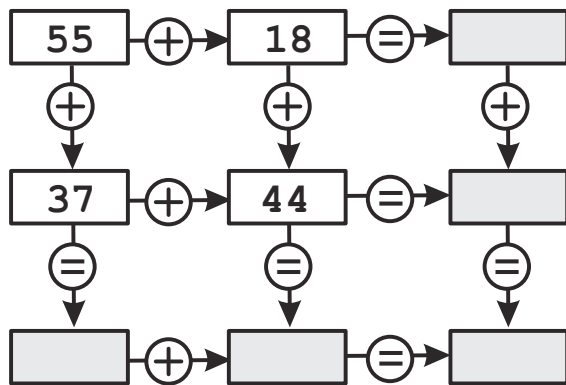
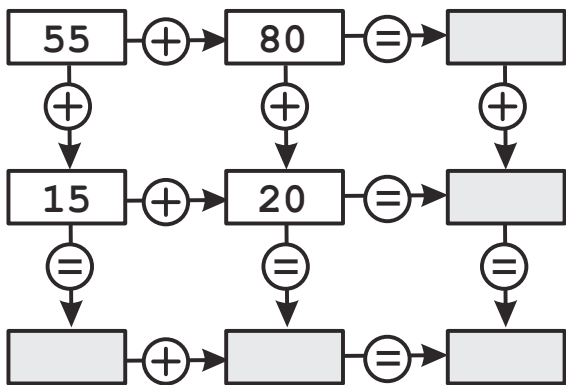
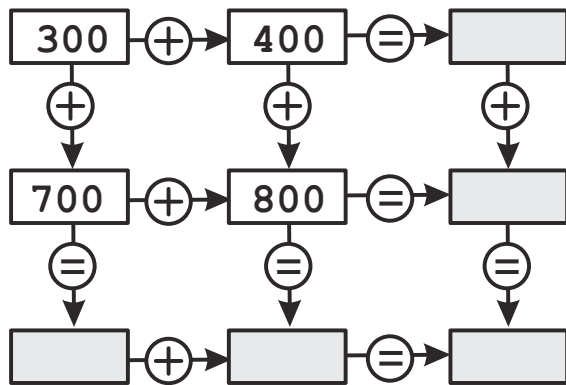
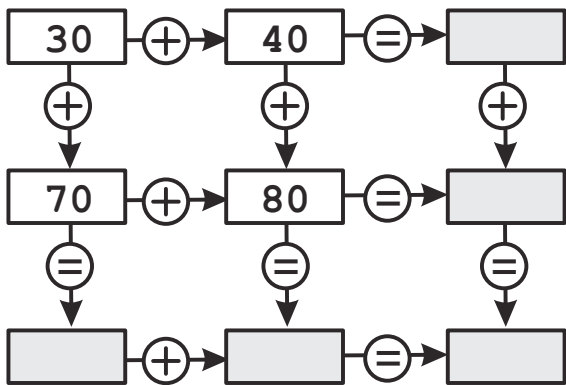
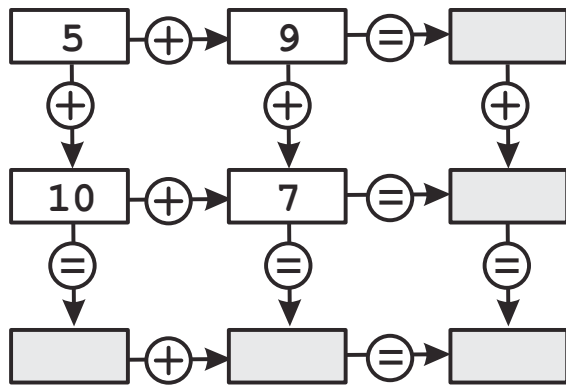
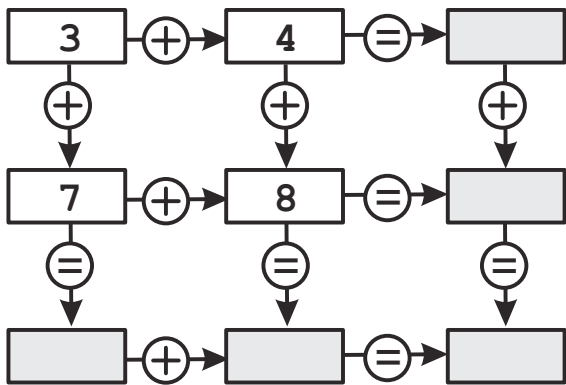
## Lösung



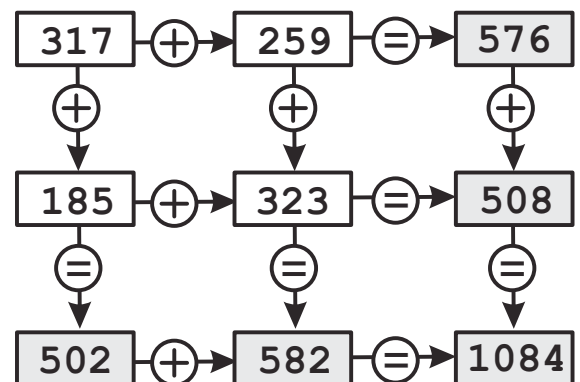
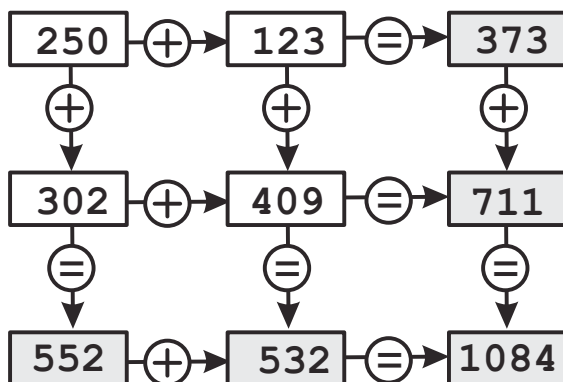
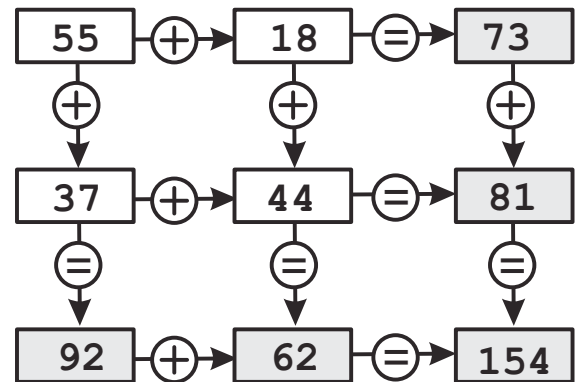
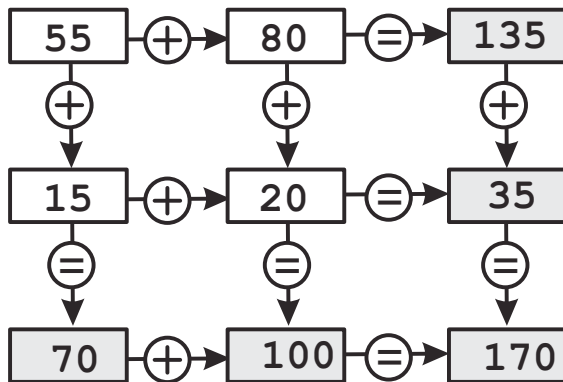
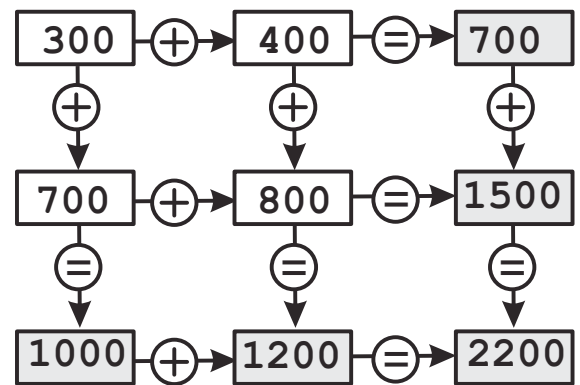
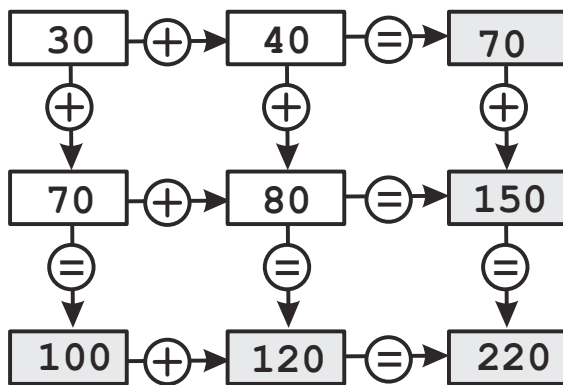
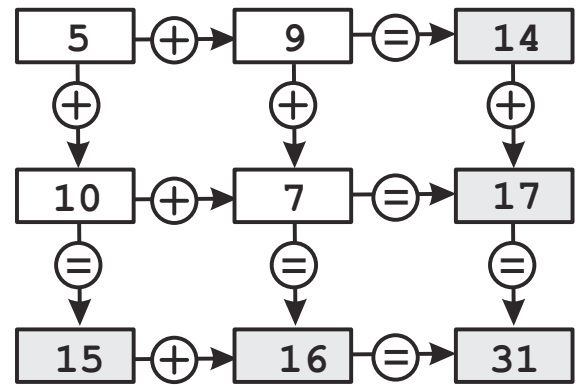
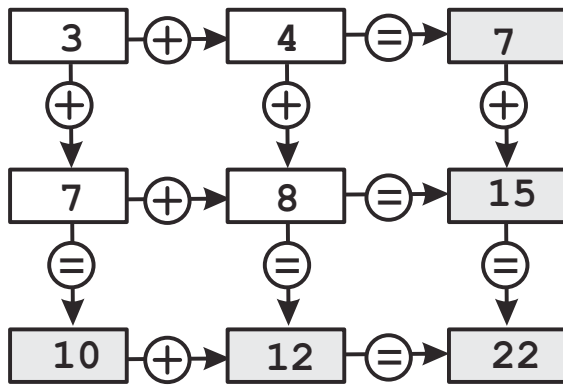


# Lösung

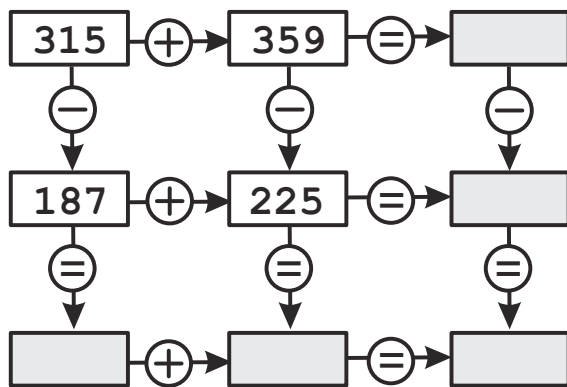
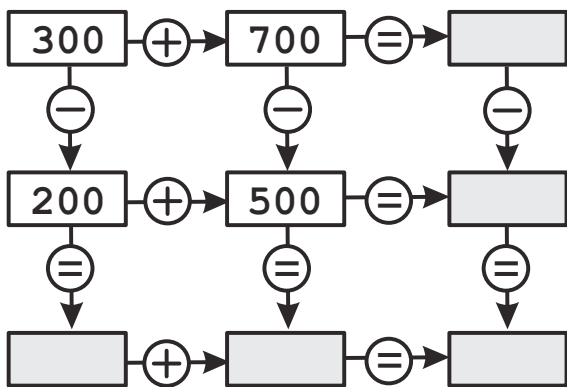
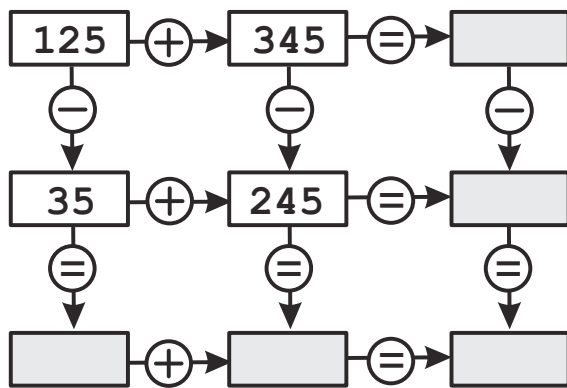
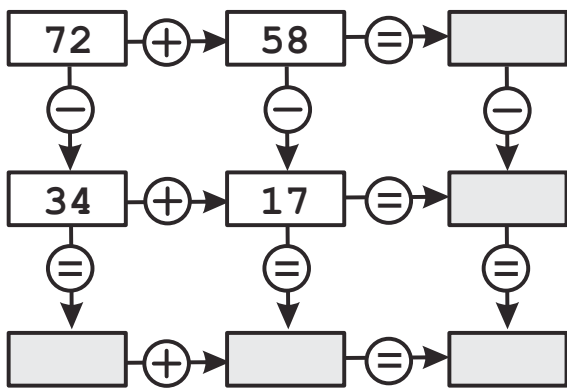
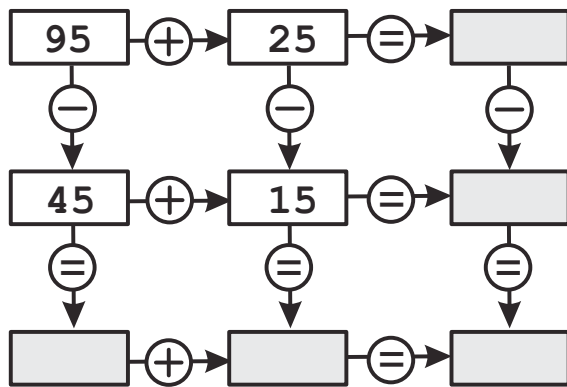
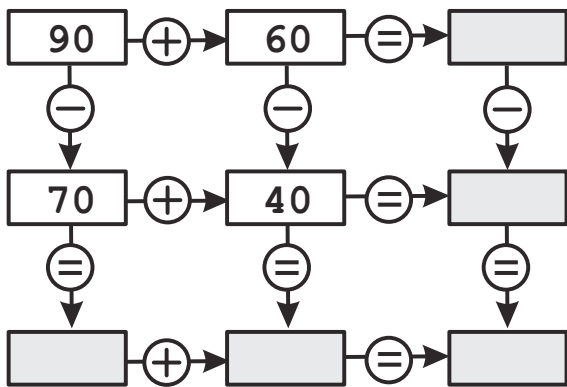
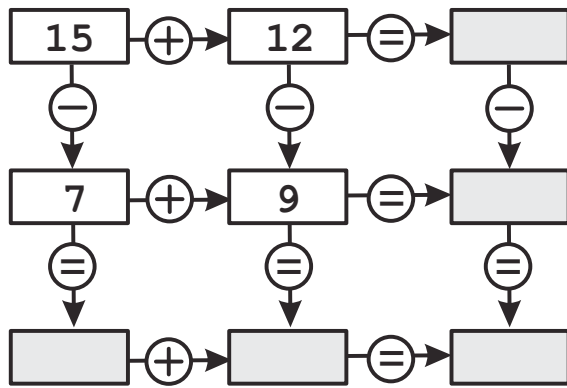
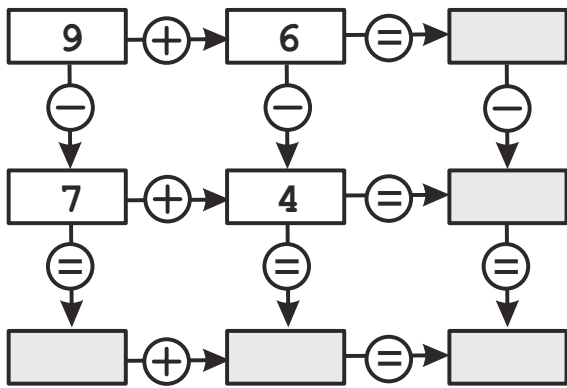




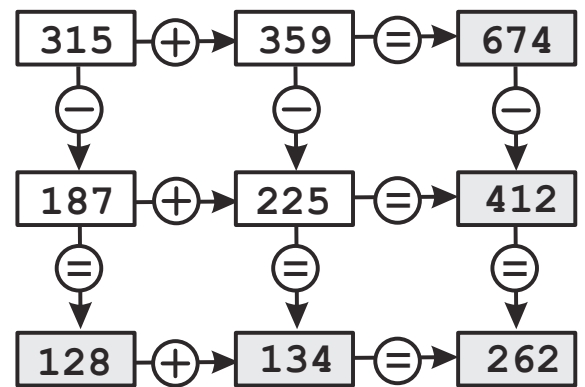
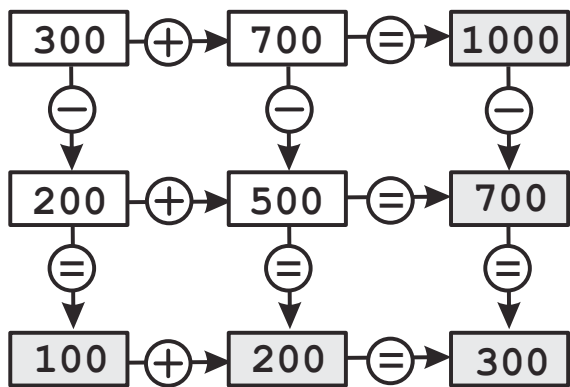
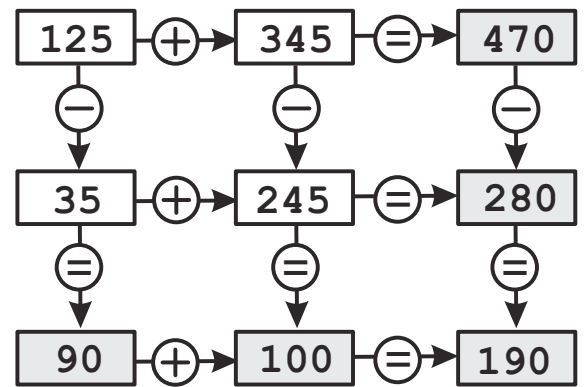
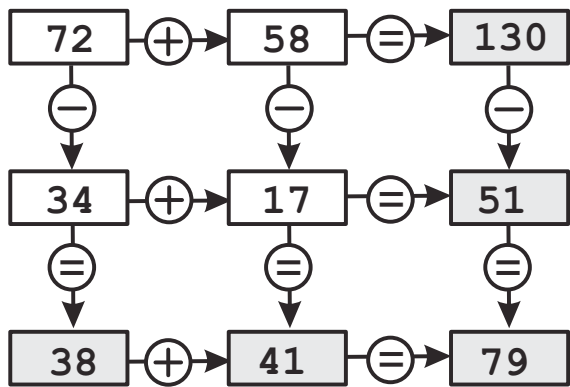
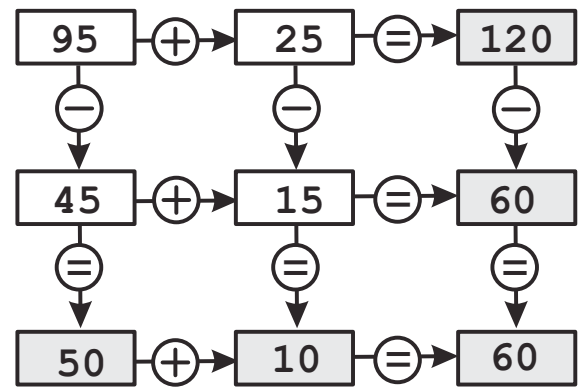
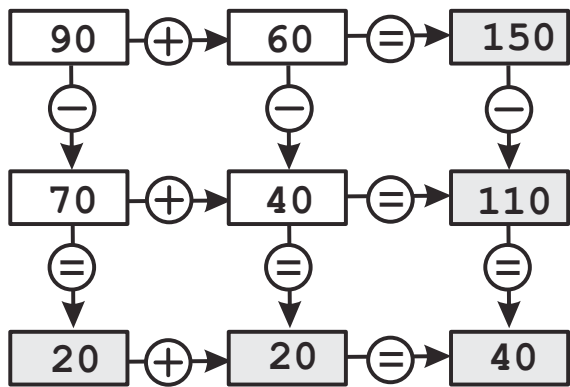
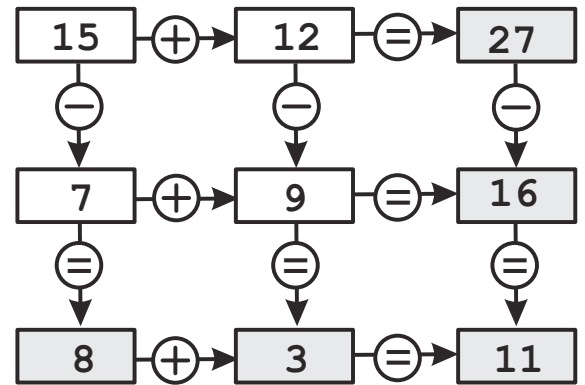
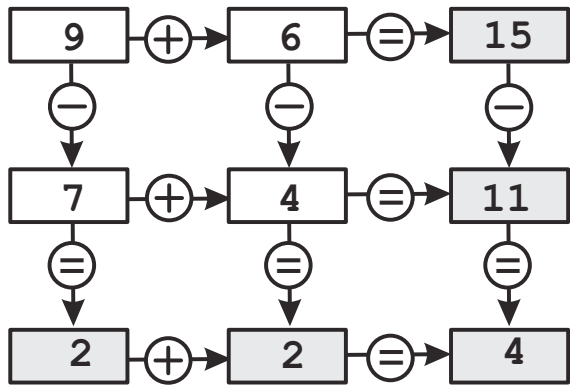
# Lösung

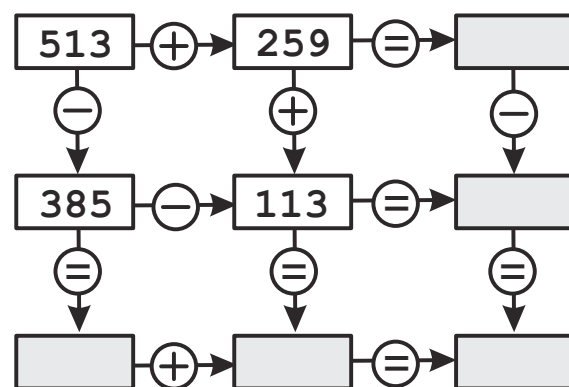
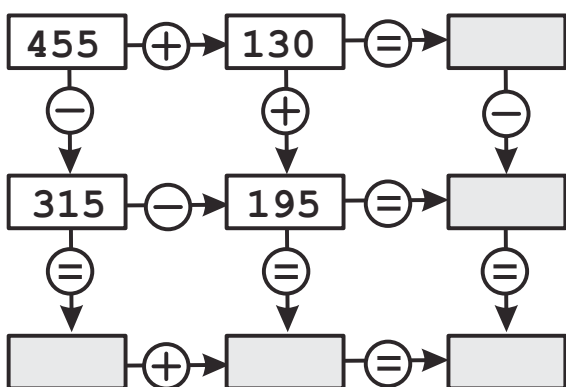
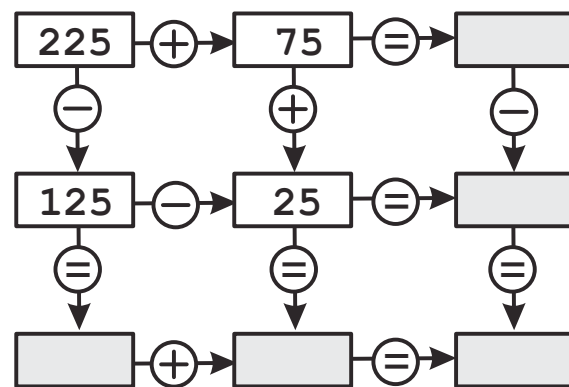
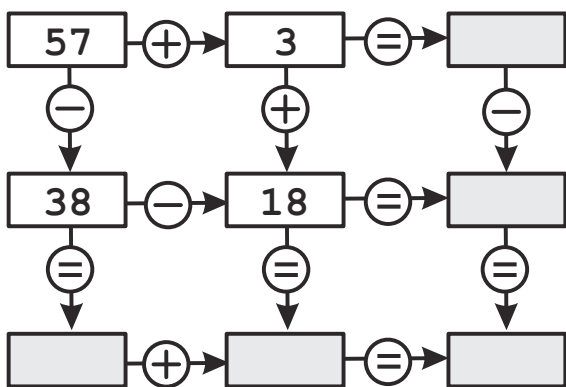
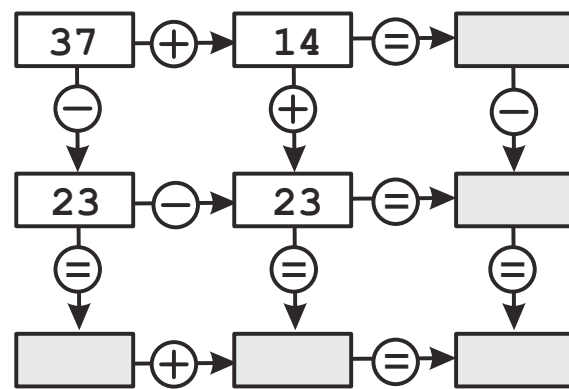
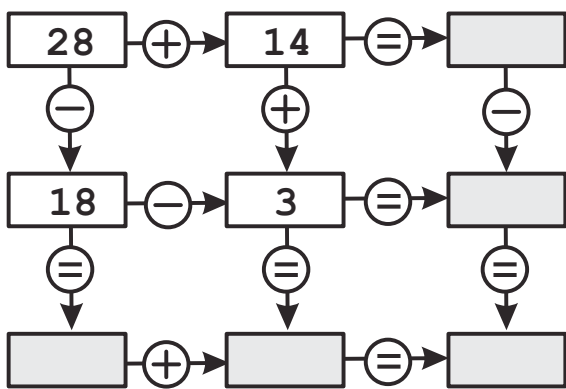
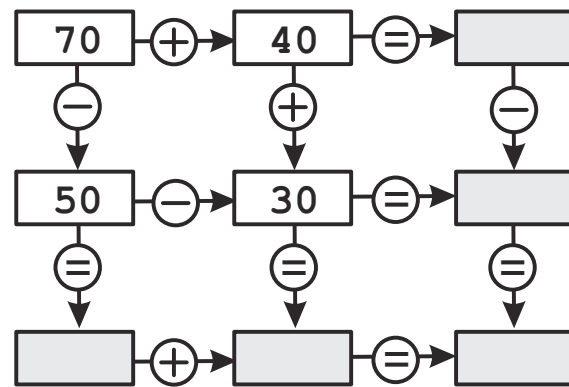
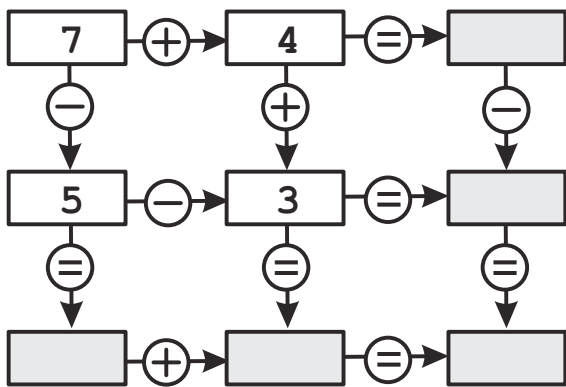




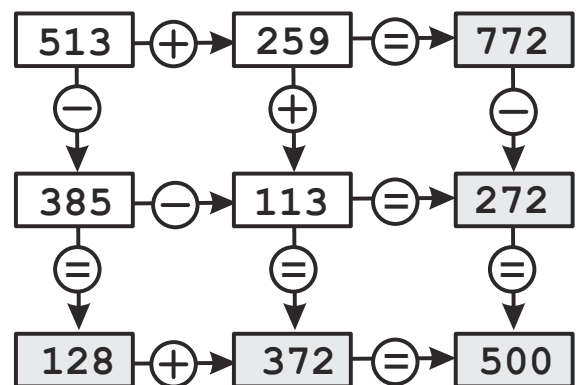
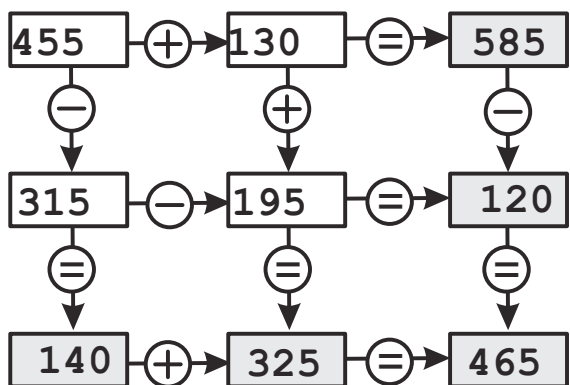
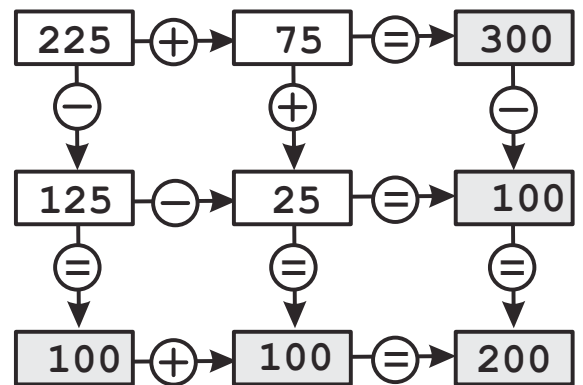
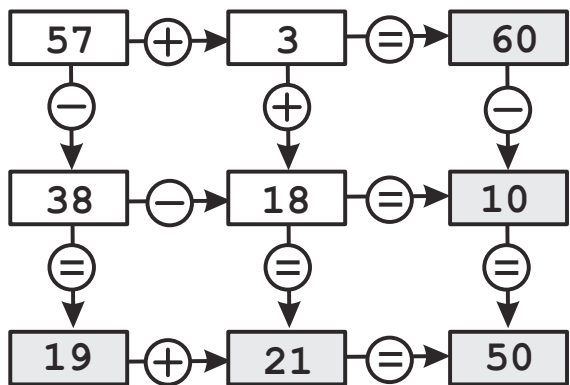
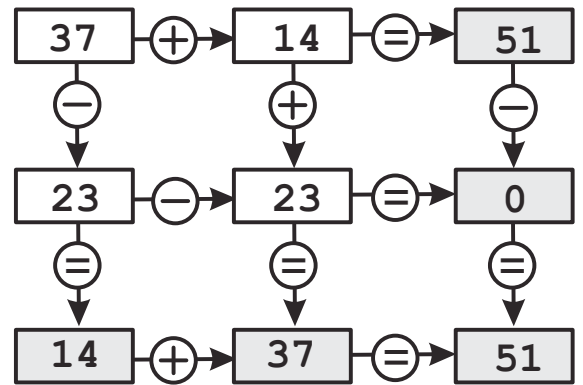
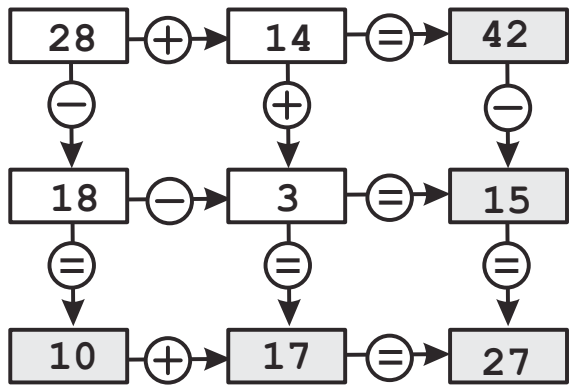
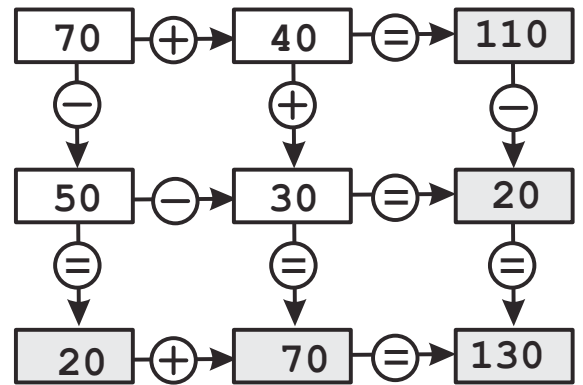
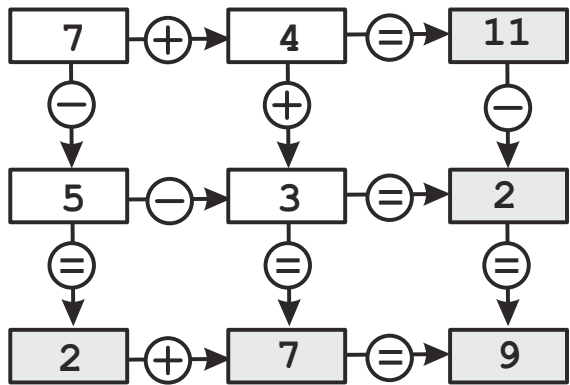


# Lösung





# Lösung



$$\begin{array}{r} 1) \quad 944645 \\ + \quad 65456 \\ \hline \end{array}$$

$$\begin{array}{r} 1168865 \\ + \quad 65456 \\ \hline \end{array}$$

$$\begin{array}{r} 1234567 \\ +2032870 \\ +1053797 \\ \hline \end{array}$$

$$\begin{array}{r} 2) \quad 8731923 \\ -7497602 \\ \hline \end{array}$$

$$\begin{array}{r} 6382500 \\ -5372399 \\ \hline \end{array}$$

$$\begin{array}{r} 4509900 \\ - \quad 65456 \\ \hline \end{array}$$

$$3) \quad 11 \times 101 =$$

$$4) \quad 73 \times 137 =$$

$$5) \quad 41 \times 271 =$$

$$6) \quad 2 \times 2 \times 2 \times 251 =$$

$$7) \quad 3 \times 7 \times 13 \times 37 =$$

$$1) \quad \begin{array}{r} 476654 \\ + 78901 \\ \hline \end{array}$$

$$\begin{array}{r} 1147143 \\ + 64978 \\ \hline \end{array}$$

$$\begin{array}{r} 2345678 \\ 1056709 \\ 2749376 \\ +1502558 \\ \hline \end{array}$$

$$2) \quad \begin{array}{r} 3513578 \\ - 56789 \\ \hline \end{array}$$

$$\begin{array}{r} 8330130 \\ - 675809 \\ \hline \end{array}$$

$$\begin{array}{r} 1300023 \\ - 65456 \\ \hline \end{array}$$

$$3) \quad 2 \times 5 =$$

$$4) \quad 2^2 \times 5^2 =$$

$$5) \quad 2^3 \times 5^3 =$$

$$6) \quad 5 \times 7 \times 67 =$$

$$7) \quad 2 \times 2 \times 3 \times 17 \times 103 =$$

$$8) \quad 7 \times 11 \times 11 \times 13 =$$

$$9) \quad 2^7 \times 3^3 =$$

$$\begin{array}{r} 1) \quad 246876 \\ + \quad 86457 \\ \hline \end{array}$$

$$\begin{array}{r} 2108867 \\ + \quad 12345 \\ \hline \end{array}$$

$$\begin{array}{r} 54321 \\ 234567 \\ 123456 \\ + \quad 822223 \\ \hline \end{array}$$

$$\begin{array}{r} 2) \quad 4692309 \\ - 1358976 \\ \hline \end{array}$$

$$\begin{array}{r} 11111111 \\ - 8080808 \\ \hline \end{array}$$

$$\begin{array}{r} 6268006 \\ - 589241 \\ \hline \end{array}$$

$$3) \quad 3 \times 37 =$$

$$4) \quad 2^2 \times 53 =$$

$$5) \quad 2^4 \times 29 =$$

$$6) \quad 7 \times 11 \times 13 =$$

$$7) \quad 5 \times 7 \times 67 =$$